



INSTALLATION INSTRUCTIONS

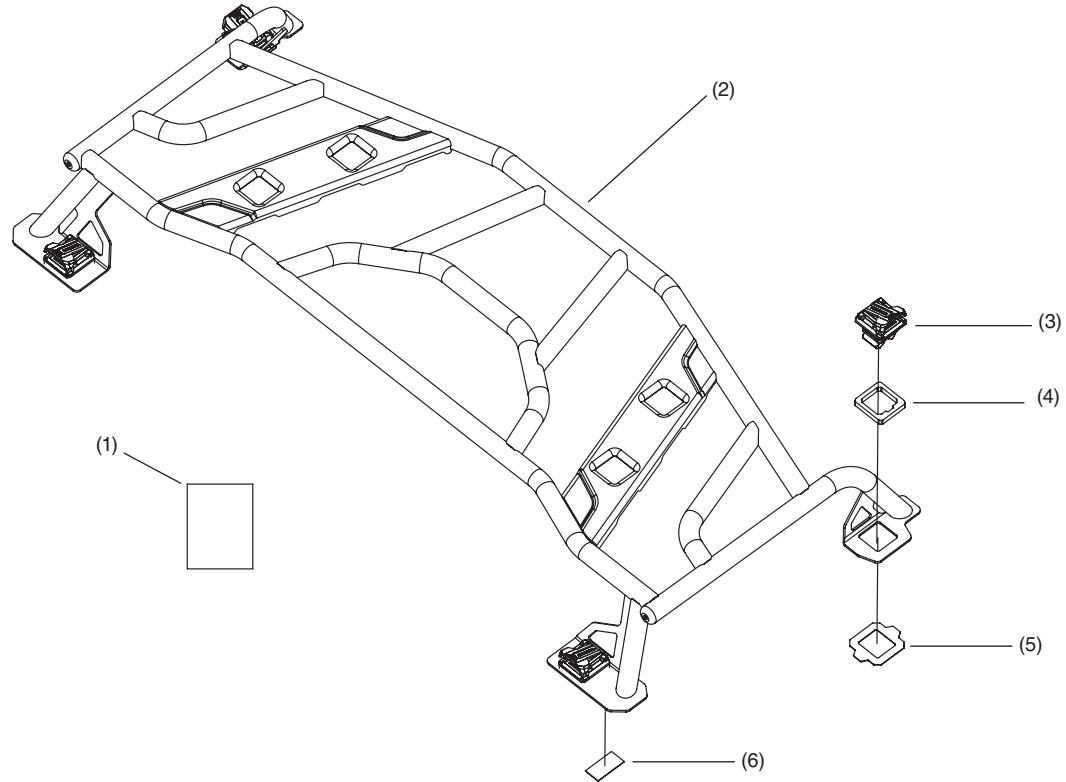
Accessory
BED RACK
P/N 0SE57-HL5-A00

Application
SXS520M

Publication No.
MII 17623
Issue Date
November 2021

Honda Dealer: Please give a copy of these instructions to your customer.

PARTS LIST



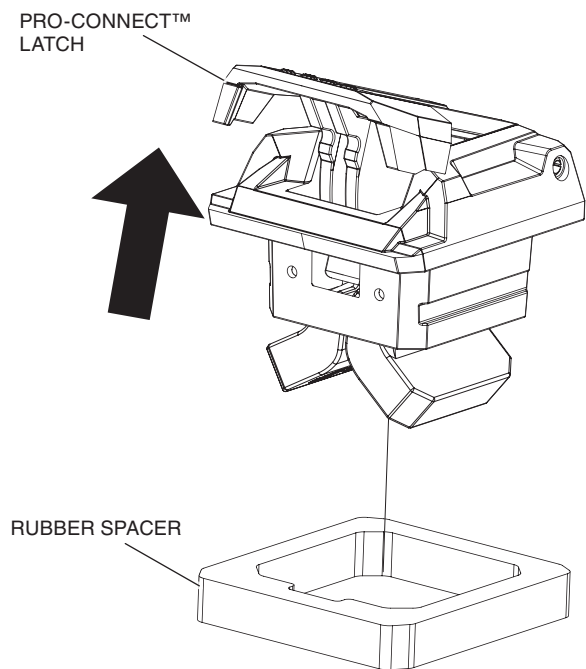
No.	Description	Qty
(1)	Installation Instructions URL	1
(2)	Bed Rack	1
(3)	Pro-Connect™ latch	4
(4)	Rubber Spacer	4
(5)	Snap Ring	4
(6)	Self-Adhesive rubber strips	4

NOTE:

- **Maximum weight capacity of the bed rack: 100 lbs.**
- **Do not exceed weight capacity.**
- **Make sure all cargo is properly secured on bed rack before SXS is in motion.**
- **Never allow anyone to sit or ride on bed rack at any time.**
- **Never use bed rack to tow something with the vehicle.**
- **Always make sure the Pro-Connect™ latches are properly engaged before riding.**
- **Please read and follow all instructions and warnings supplied with the bed rack.**

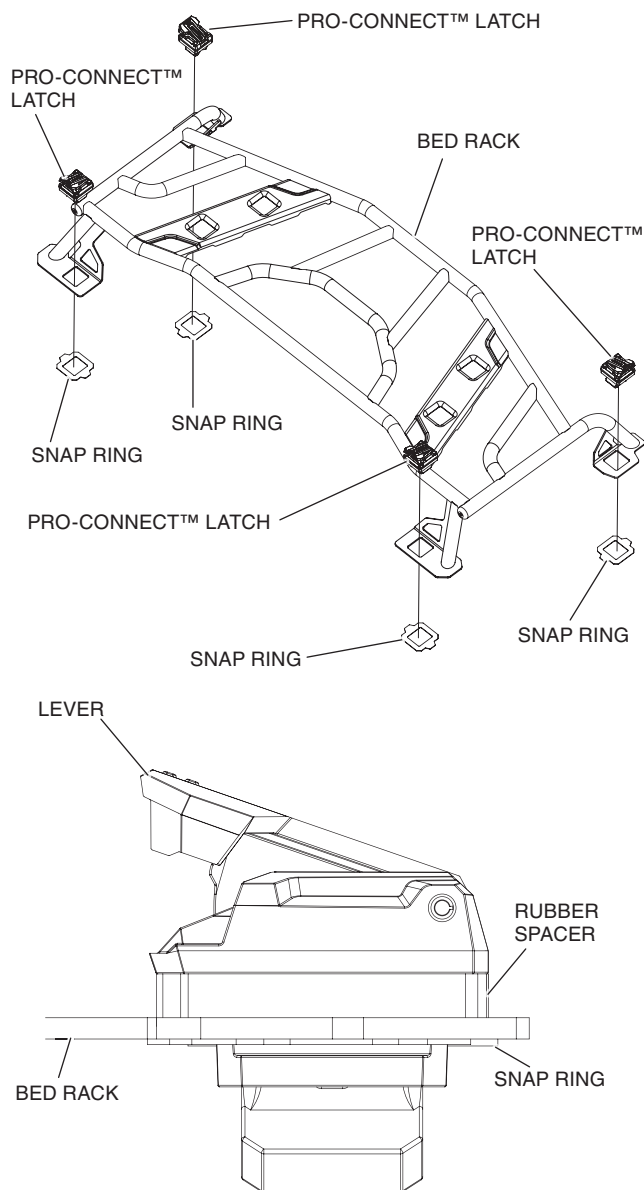
INSTALLATION

1. Lift the lever on each Pro-Connect™ latch to unlock them and install the Rubber Spacer.



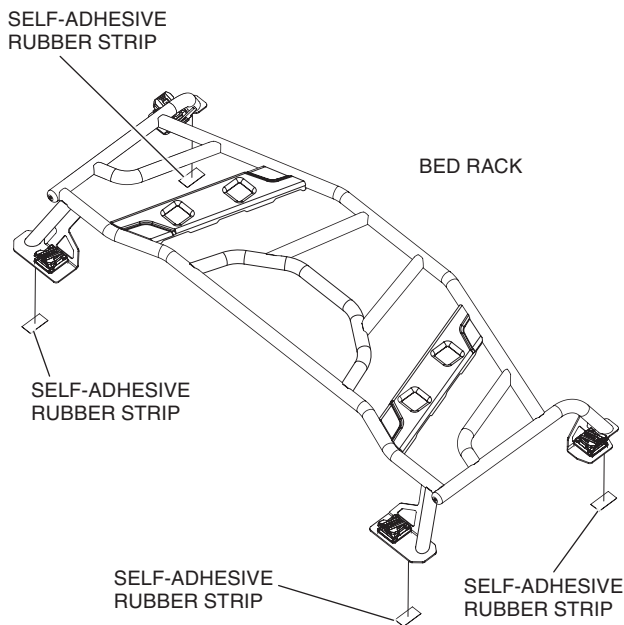
2. Insert the Pro-Connect™ latch assembled with the rubber spacers in the Bed Rack installation square holes and secure them by using the Snap Rings.

NOTE: Pay attention to the assembly direction of the Pro-Connect™ latch to ensure proper fitment. They must be installed as shown on the picture below.



3. Remove the film from the self-adhesive rubber strips and stick them to the Bed Rack in the position shown in the view below.

NOTE: Clean the mating surface of the bed rail with alcohol before installing rubber strips.



4. Make sure the Pro-Connect™ latch levers are in the open position then locate the Bed Rack onto the Vehicle Bed by aligning each Pro-Connect™ latch with his corresponding bed installation hole. Lock the Bed Rack in place by pressing down the four Pro-Connect™ latch levers. To remove the Bed Rack from the vehicle, just lift the lever from each Pro-Connect™ latch and freely remove the accessory.

